

Official agent Benelux  
www.ipspumps.be



STAINLESS STEEL AISI 316  
SUBMERSIBLE VORTEX SEWAGE PUMP

# STEEL

## SERIES 50HZ



50(80)STEEL-5.20~30

50STEEL-5.05~10

Watertight Corrugated Cable Sleeve (optional)  
Acid/Alkali Resistant Plastic Composite Material

### Features

- Vortex impeller design
- Loss wax Stainless Steel AISI 316
- Large impeller clearance
- Viton gaskets, o-rings and lip seal are used throughout pump sealing
- Optional epoxy based nano-coating to extend pump life time
- Optional acid/alkali resistant cable sleeve

### Applications

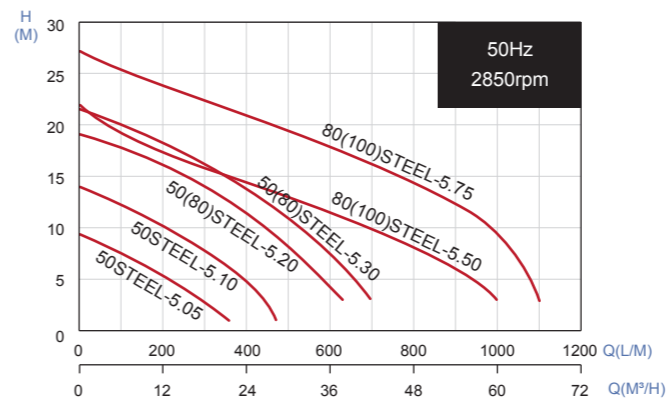
- Drainage for typical, chemical, pharmaceutical industries
- Wastewater with corrosive contaminant
- Wastewater treatment plant

### Data Chart

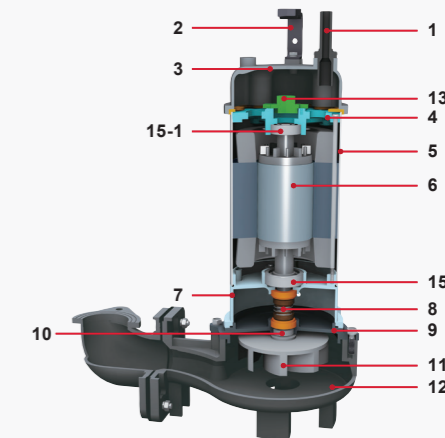
| Type              | Output |      | Discharge | F.L.A.  |         | Rated  |          | Maximum |          | Free Passage | Weight(W/O Cable) |       | Q.D.C.  |
|-------------------|--------|------|-----------|---------|---------|--------|----------|---------|----------|--------------|-------------------|-------|---------|
|                   | HP     | kW   |           | 1ø 230V | 3ø 400V | Head M | Cap. LPM | Head M  | Cap. LPM |              | mm                | 1ø-kg |         |
| 50STEEL-5.05      | 0.5    | 0.37 | 2"        | 3.5A    | 1.4A    | 5.4    | 200      | 9.5     | 360      | 35           | 13                | 12.4  | SQS-50  |
| 50STEEL-5.10      | 1      | 0.75 | 2"        | 6A      | 2.5A    | 9      | 250      | 14      | 470      | 35           | 15.4              | 15.7  | SQS-50  |
| 50(80)STEEL-5.20  | 2      | 1.5  | 2"(3")    | 10.5A   | 4.5A    | 12     | 375      | 19      | 630      | 45           | 31.2              | 29.7  | SQM-80  |
| 50(80)STEEL-5.30  | 3      | 2.2  | 2"(3")    | 12.6A   | 5.7A    | 14.7   | 360      | 21.5    | 700      | 45           | 32.8              | 31.3  | SQM-80  |
| 80(100)STEEL-5.50 | 5      | 3.7  | 3"(4")    | -       | 7.2A    | 13     | 500      | 22      | 1000     | 45           | -                 | 48    | SQM-100 |
| 80(100)STEEL-5.75 | 7.5    | 5.5  | 3"(4")    | -       | 10.8A   | 18     | 595      | 27      | 1110     | 45           | -                 | 53.8  | SQM-100 |

» 50STEEL-5.05-10 : Flange Type    » 50(80)STEEL-5.20-30 : Elbow Type    » 80(100)STEEL-5.50-75 : Elbow Type

### Performance Curve



All technical information is subject to change without notice.



### Parts and Material List

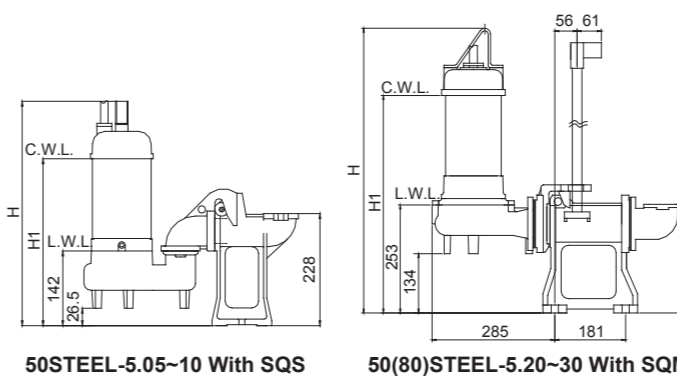
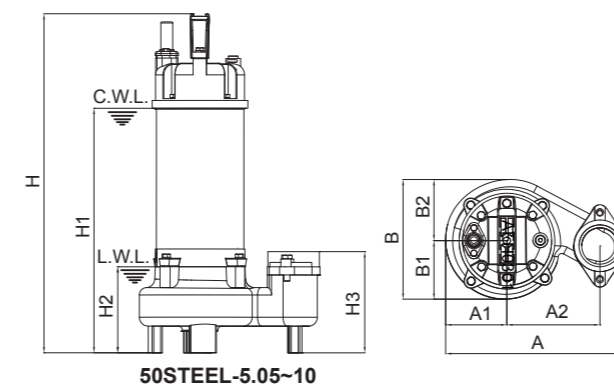
| No.  | Part                   | Material                                |
|------|------------------------|---|
| 1    | Cable                  | H07RN-F                                 |
| 2    | Handle                 | Nylon 6(0.5-1HP) ; AISI 316 (2-7.5HP)   |
| 3    | Motor Cover            | AISI 316                                |
| 4    | Bracket                | EN-GJL-200                              |
| 5    | Motor Housing + Stator | AISI 316                                |
| 6    | Shaft with Rotor       | AISI 316                                |
| 7    | Oil Chamber            | EN-GJL-200(0.5-1HP) ; AISI 316(2-7.5HP) |
| 8    | Mechanical Seal        | Upper : CA / CE<br>Lower : SIC / SIC    |
| 9    | Seal Housing           | AISI 316                                |
| 10   | Oil Seal               | Viton                                   |
| 11   | Impeller               | AISI 316                                |
| 12   | Pump Casing            | AISI 316                                |
| 13   | Protector              | KLIXON                                  |
| 15-1 | Upper Bearing          | NTN/TPI                                 |
| 15-2 | Lower Bearing          | NTN/TPI                                 |

TPI is a family brand of NTN group.

### Dimensions (mm)

| Type                 | A   | A1  | A2  | A3  | B   | B1  | B2  | H        | H1       | H2  | H3  |
|----------------------|-----|-----|-----|-----|-----|-----|-----|----------|----------|-----|-----|
| 50STEEL-5.05         | 228 | 75  | 120 | N/A | 150 | 70  | 80  | 425      | 297      | 117 | 138 |
| 50STEEL-5.10         | 228 | 75  | 120 | N/A | 150 | 70  | 80  | 455      | 327      | 117 | 138 |
| 50(80)STEELS-5.20    | 390 | 103 | 235 | 154 | 208 | 104 | 104 | 532      | 400      | 150 | 152 |
| 50(80)STEEL-5.30S(T) | 390 | 103 | 235 | 154 | 208 | 104 | 104 | 572(552) | 440(420) | 150 | 152 |
| 80(100)STEELS-5.50   | 466 | 100 | 274 | 177 | 210 | 95  | 115 | 633      | 468      | 160 | 225 |
| 80(100)STEEL-5.75    | 466 | 100 | 274 | 177 | 210 | 95  | 115 | 673      | 508      | 160 | 225 |

» Note1 : S: Single Phase ; T: Three Phase  
» Note2 : Automatic models are available in single-phase versions(0.5-3HP).  
» Note3 : Q.D.C. (Quick Discharge Connection) is available for all models.



### STEEL with SQS/SQM

| Type           | Output |      | Discharge |         | Dimensions(mm) |             |
|----------------|--------|------|-----------|---------|----------------|-------------|
|                | HP     | KW   | Inch      | mm      | H              | H1          |
| STEEL with SQS | 0.5    | 0.37 | 2"        | 50      | 445            | 322         |
|                | 1      | 0.75 | 2"        | 50      | 475            | 352         |
| STEEL with SQM | 2      | 1.5  | 2"(3")    | 50(80)  | 660            | 534         |
|                | 3      | 2.2  | 2"(3")    | 50(80)  | S:710;T:690    | S:574;T:554 |
|                | 5      | 3.7  | 3"(4")    | 80(100) | 769            | 604         |
|                | 7.5    | 5.5  | 3"(4")    | 80(100) | 809            | 644         |